

Panasonic®

Advanced Hybrid System

User Guide





for Single Line Telephone
















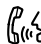
Model No. **KX-TA824**



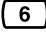













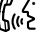
Please read this guide before using and save for future reference.

Features List







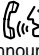


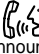

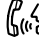

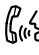





 Feature number
  Off-hook
  On-hook
  Talk

Desired Feature	Operation
Making Calls	
Calling	To an extension  ► extension no. ► 
	To an external party  ► phone no. ► 
Redial	 ► 8 0 / # # ► 
Calling an operator	 ► 0 ► 
Speed Dialing (Personal)	To store  ► 2 * ► personal speed dial no. ► desired no. ► ► # ► 
	To dial  ► 1 * / # ► personal speed dial no. ► 
Speed Dialing (System)	To dial  ► * ► system speed dial no. ► 
Receiving Calls	
Picking up a call	 ► <div style="border: 1px dashed black; padding: 10px; display: inline-block; margin-left: 20px;"> <p style="margin: 0;">Directed</p> <p style="margin: 0;">4 ► extension no.</p> <p style="margin: 0;">Group</p> <p style="margin: 0;">4 0</p> </div> ► 











Features List

Desired Feature	Operation	
When the Dialed Extension is Busy/No Answer		
Automatic Callback Busy	To set <i>While hearing a busy tone</i>  ▶ 6 ▶ 	To call <i>If you hear callback ringing</i> 
Message Waiting	Sender	To leave a notification  ▶ 7 0 ▶ 1 ▶ desired extension no. ▶ ▶ # / 0 ▶  <hr/> To cancel a notification  ▶ 7 0 ▶ 2 ▶ desired extension no. ▶ ▶ # / 0 ▶ 
	Receiver	To clear all notifications  ▶ 7 0 0 ▶ # ▶ 
Call Waiting	Sender	<i>While hearing a busy tone</i> 1 ▶ Wait for an answer. ▶ 
	Receiver	 ▶ <div style="border: 1px dashed black; padding: 10px; display: inline-block;"> <p>For outside calls</p> <p>7 3 1 1 # Set</p> <p>7 3 1 0 # Cancel</p> <p>For intercom calls</p> <p>7 3 2 1 # Set</p> <p>7 3 2 0 # Cancel</p> </div> ▶  <hr/> To talk to the new party <i>While hearing the Call Waiting tone</i> Terminating a current status  ▶  ▶ 




Features List

Desired Feature	Operation
During a Conversation	
Holding a call	<p>Holding</p>  ►  <p>To retrieve a call at the holding extension</p> 
	<p>To retrieve an outside call from another extension</p>  ► 5 3 ► held line no. ► 
Transferring a call	 ► extension no. To an extension ► Wait for an answer. ►  Announce. ► 
Useful Features	
Paging	<p>To page</p> <div style="border: 1px dashed black; padding: 5px;"> <p>All extensions 3 3 0</p> <p>Group 3 3 ► group no.</p> <p>All external speakers 3 4</p> <p>All extensions & external speakers 3 3 *</p> </div>  ►  Announce. <p>To answer an announced page</p> <div style="border: 1px dashed black; padding: 5px;"> <p>From a telephone speaker 4 3</p> <p>From an external speaker 4 3</p> </div>  ► 
Three-party conference	 ► third party's no. ►  ►  3
Setting Absent Message	<p>To set</p>  ► 7 5 ► message no. ► parameter (if required) ► # ► 
	<p>To cancel</p>  ► 7 5 0 # ► 

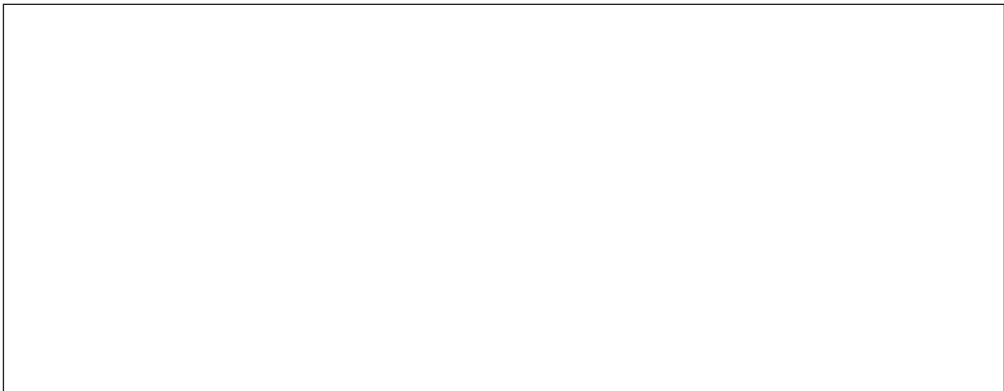
Features List

Desired Feature	Operation
Useful Features	
Log-In/Log-Out	 ► [7 3 6 0 #] For Log-In [7 3 6 1 #] For Log-Out ► 
Forwarding a call	 ► [7 1] ► <div style="border: 1px dashed black; padding: 10px; margin: 10px auto; width: 80%;"> <p>All calls</p> <p>[1] ► extension no. ► [#]</p> <p>Busy/No answer</p> <p>[2] ► extension no. ► [#]</p> <p>To an outside line</p> <p>[3] ► line access code ► phone no. ► [#]</p> <p>Follow Me</p> <p>[5] ► your extension no. ► [#]</p> <p>Cancel Follow Me</p> <p>[8] ► your extension no. ► [#]</p> <p>Cancel</p> <p>[0] ► [#]</p> <p>To Voice Mail</p> <p>All calls</p> <p>[1] ► VPS extension no. ► [#]</p> <p>Busy/No answer</p> <p>[2] ► VPS extension no. ► [#]</p> </div> 
Do Not Disturb (DND)	 ► [7 1] ► [4 #] Set [0 #] Cancel ► 
Locking your extension	(Lock code is 4 digits.)  ► [7 7 lock code lock code ► [#] Lock [7 7 lock code ► [#] Unlock] ► 
Clearing the setting	 ► [7 9 #] ► 

Features List

Desired Feature	Operation		
To Make Use of Voice Mail Service			
Listening Message	From your Own Extension	 ► Extension No. of the VPS ► ► Password # • If you have no password, you can skip the last step.	■ KX-TVA series [1] Listen to Message [2] Deliver Message [3] Mailbox Management [4] Automated Attendant [5] Message Notification [6] Other Features [*] End Call ■ KX-TVS series [1] Listen to Message [2] Deliver Message [3] Check Mailbox Distribution [4] Automated Attendant [5] Mailbox Management [6] Other Features [*] End Call
	From someone else's extension	 ► Extension No. of the VPS ► ► # 6 ► * ► ► Mailbox No. ► ► Password # • If you have no password, you can skip the last step.	
Leaving Message	 ► Extension No. of the VPS ► # 6 ► ► Mailbox No. / # 1 first 3 or 4 of name ► ► Leave Message		
During Playback	[0] Repeat Voice Guidance [*] Exit Menu		

NOTE



**Panasonic Consumer Electronics
Company Division of Panasonic
Corporation of North America**
One Panasonic Way,
Secaucus, New Jersey 07094
<http://www.panasonic.com/csd>

Panasonic Puerto Rico, Inc.
Ave. 65 de Infantería, Km. 9.5,
San Gabriel Industrial Park, Carolina,
Puerto Rico 00985

© 2005 Panasonic Communications Co., Ltd. All Rights Reserved.

PSQX3430ZA KK0405ST0